



## Specifications

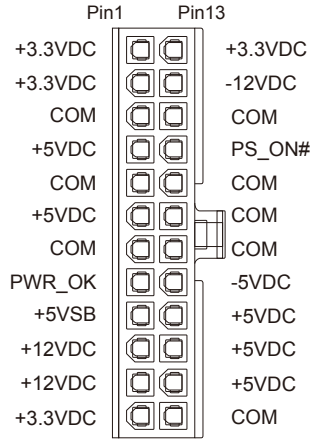
Type	ATX12V, Version 2.2, Retail
Maximum Power	450W
Fans	1 x 80 mm fan
PFC	No
Main Connector	20+4-Pin
Dual +12V	No
SLI Support	No
Modular Cabling Support	No
Efficiency	>68% @ full load ,nominal line
Input Voltage	115/230 V
Input Frequency Range	47 - 63Hz
Input Current	10A @ 115V, 6A @ 230V
Output	+3.3@28A,+5V@40A,+12V@17A,-12V@0.8A,+5VSB@2A
Approvals	UL, FCC certified

## Features...

### Connectors

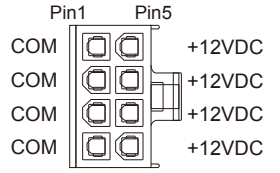
- > 1 x Main connector (20+4 pin)
- > 1 x 12V (P4)
- > 4 x peripheral
- > 1 x Floppy

# PINOUPS OF CONNECTORS

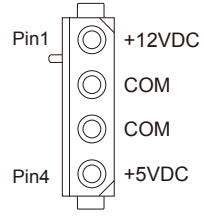


Main Power Connector

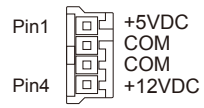
- |                |                 |             |
|----------------|-----------------|-------------|
| +12V = yellow  | +5VSB = brown   | -5V = white |
| +5V = red      | PS_ON# = gray   | -12V = blue |
| +3.3V = purple | PWR_OK = orange | COM = black |



+12V 8P Power Connector



Peripheral Power Connector



Floppy Drive Power Connector

