



EJ-115BRK-16

1U rack mount 15" TFT console with 16 ports KVM switch

EJ-115BRK-16 is cost efficiency industrial level input solution, easy to install and use. EJ-115BRK-16 provide optimize your space utilization by controlling your system in just 1U rack space. With EJ-115BRK-16, you can control 16 platforms by using built-in KVM switch and easily expand the connections up to 8 levels with the combination of KVM switch boxes.

Single
Rail

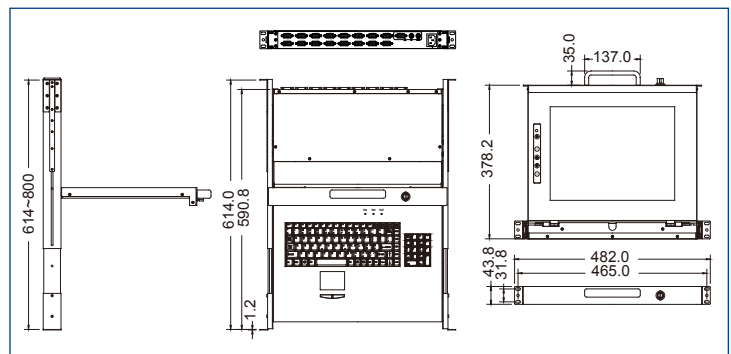
15"
TFT LCD

17
various
Keyboard

ROHS
Compliant

16
ports
KVM switch

Dimension



Features

- Single rail easy to install and use
- Support 17 various keyboard languages
- Bright Active Matrix TFT display
- OSD function (On Screen Display) for LCD display
- Durable keyboards (touchpad or trackball)
- Panel protected by tempered glass
- DC power (optional)

Specification

| | |
|-------------------------|--|
| Model Name | EJ-115BRK-16 |
| System Connections | 16 |
| Dimension | 592 x 447.5 x 44 mm / 23.3 x 17.6 x 1.7 inches |
| Package Dimension | 788 x 564 x 206 mm / 31.0 x 22.2 x 8.1 inches |
| Net Weight | 12.5 Kg / 27.6 lbs |
| Gross Weight | 19.0 Kg / 41.9 lbs |
| Display Size | 15 inches |
| Panel Type | Active Matrix TFT LCD |
| Resolution Capabilities | Maximum Resolution up to 1024 x 768 (XGA) |
| Pixel Pitch | Supports 0.297 mm x 0.297 mm |
| Viewing Angle (CR>10) | Right-Left view 130° (Typ) Up-Down View 100° (Typ) |
| Contrast Ratio | 400 : 1 |
| Brightness | White 250 cd/m ² (Center 1 point Typ) |
| Back Light | Dual Lamps for Back Light |
| Supported Colors | 16M Colors (6-bit with FRC) |
| Response Time | Rising Time 5 ms, Decay Time 11 ms |
| Operating System | Dos, Windows (3.1, 9x, 2000, NT4, ME, XP, 2003 Server) Linux, Novell 3.12-6, HP UX, SUN |
| Multi Platform | Support PS/2 and USB |
| Connectors | 1 x VGA HDDB-15 pin, 2 x PS/2 Mini Din 6 pin, 1 x AC Inlet, 16 x HDDB-15 pin for system connection |
| System Cables | VGA + PS/2 x 2 cable or VGA + USB x 1 cable |
| Keyboard Mouse | 106 key PS/2 keyboard with touch pad |
| Sync | 45 ~ 80 KHz |
| Power Source | 100 ~ 240 VAC input |
| Power Consumption | 16 W, 10.41 W for Panel |
| Temperature | Operate 0 ~ 50 °C / 32 ~ 122 °F Storage -20 ~ 60 °C / -4 ~ 140 °F |
| Humidity | 10% ~ 90% RH |
| Chassis Construction | Heavy duty steel materials |
| Keyboard Language | US, UK, German, French, Spanish, Italian, Portuguese, Dutch, Swiss, Belgium, Swedish, Norwegian, Danish, Japanese, Mandarin, Russian, Hebrew |
| Certification | CE / FCC, UL / CUL / C-Tick |

Options

Color (Black / Beige / OEM color)

Cherry keyboard with trackball (PS/2 only)

DC power (-48V ~ +48V and +12V with additional cost)

Rear bracket extension up to 1000mm

Signal cable 1.8m / 3.0m / 5.0m

Application

