



EJ-D117BRK-01

1U rack mount 17" TFT console

EJ-D117BRK-01 provide industrial level input solution to optimize your space utilization by controlling your system in just 1U rack space.

Dual
Rail17"
TFT LCD17
various
KeyboardROHS
CompliantSUN
microsystems

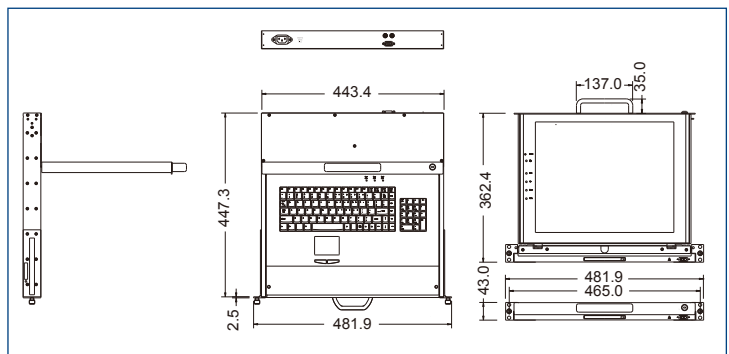
Features

- Dual rails for independent panel and keyboard tray
- Hidden handle for keyboard tray
- Support Sun native resolution
- Support 17 various keyboard languages
- Bright Active Matrix TFT display
- OSD function (On Screen Display) for LCD display
- Durable keyboards (touchpad or trackball)
- Panel protected by tempered glass
- Audio function (optional)
- DC power (optional)

Specification

Model Name	EJ-D117BRK-01
System Connections	1
Dimension	449.8 x 443.4 x 44 mm / 17.7 x 17.5 x 1.7 inches
Package Dimension	605 x 560 x 202 mm / 23.8 x 22.0 x 8.0 inches
Net Weight	12.0 Kg / 26.5 lbs
Gross Weight	17.0 Kg / 37.5 lbs
Display Size	17 inches
Panel Type	Active Matrix TFT LCD
Resolution Capabilities	Maximum Resolution up to 1280 x 1024 (SXGA)
Pixel Pitch	Supports 0.264 mm x 0.264 mm
Viewing Angle (CR>10)	Right-Left view 60° ~ 70° (Typ) Up-Down View 45° ~ 60° (Typ)
Contrast Ratio	450 : 1
Brightness	White 300 cd/m ² (Center 1 point Typ)
Back Light	Four Lamps for Back Light
Supported Colors	16.7M Colors (8-bit with FRC)
Response Time	Rising Time 2 ms, Decay Time 14 ms
Operating System	Dos, Windows (3.1, 9x, 2000, NT4, ME, XP, 2003 Server) Linux, Novell 3.12-6, HP UX, SUN
Multi Platform	Support PS/2 and USB
Connectors	1 x VGA HDDB-15 pin, 2 x PS/2 Mini Din 6 pin, 1 x AC Inlet
System Cables	VGA + PS/2 x 2 cable or VGA + USB x 1 cable
Keyboard Mouse	106 key PS/2 keyboard with touch pad
Sync	45 ~ 80 KHz
Power Source	100 ~ 240 VAC input
Power Consumption	25 W, 19.05 W for Panel
Temperature	Operate 0 ~ 50 °C / 32 ~ 122 °F Storage -20 ~ 60 °C / -4 ~ 140 °F
Humidity	10% ~ 90% RH
Chassis Construction	Heavy duty steel materials
Keyboard Language	US, UK, German, French, Spanish, Italian, Portuguese, Dutch, Swiss, Belgium, Swedish, Norwegian, Danish, Japanese, Mandarin, Russian, Hebrew
Certification	CE / FCC, UL / CUL / C-Tick

Dimension



Options

Color (Black / Beige / OEM color)

Cherry keyboard with trackball(PS/2 only)

Touch screen (USB or RS232)

DC power (-48V ~ +48V and +-12V with additional cost)

USB interface

Additional SUN function key

Rear bracket extension up to 1030mm

Signal cable 1.8m / 3.0m / 5.0m

Audio function

DVI interface

Application

