

**AC Input:**

- > Input Voltage 115V/230V
- > Efficiency >68% @ full load ,nominal line
- > Input Current 9A/5A max
- > Inrush Current 80A max @230Vac 25□ cold start
- > Input Frequency 47~63 Hz
- > Leakage Current 3.5mA max.

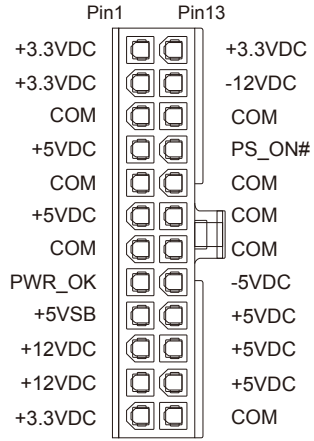
DC Output:

V1	+5V	±3%	0.3A	16A	50mV
V2	+12V1	±3%	1A	15A	120mV
V3	+12V2	±3%	1A	16A	120mV
V4	+3.3V	±3%	0.5A	22A	50mV
V5	-12V	±5%	0A	0.8A	120mV
V6	+5VSB	±5%	0A	2.5A	50mV

Features...

- > 500W 6 Output, AC Input design
- > Operating temperature range from 0°C to 50°C
- > Build in DC remote ON/OFF , PG/PF TTL signal
- > Build in a 8cm+8cm Sleeve fan
- > Compiles with FCC Class B,CISPR Pub. 22,
EN55022 Class B, and CE requirements
- > UL/cUL E222785, TUV and CB EN 60950 certified
- > MTBF 100KHRs @ 25°C per MIL- HDBK-217F
- > 2 years manufacturer warranty
- > 20 + 4 Pins Motherboard Connectors
- > 2 x SATA

PINOUPS OF CONNECTORS



Main Power Connector

- +12V = yellow
- +5V = red
- +3.3V = purple
- +5VSB = brown
- PS_ON# = gray
- PWR_OK = orange
- 5V = white
- 12V = blue
- COM = black

