



# 1U Redundant Power Supply

## Model No. TC-400R2U-H

### Table of content

<b>1. Introduction</b> .....	2
<b>2. Specification</b>	
2.1 Input Voltage.....	2
2.2 DC Output.....	2
2.3 PS-ON (Remote ON/OFF).....	3
2.4 PW-OK(power good signal).....	3
2.5 Efficiency.....	3
2.6 Hold-Up Time.....	3
<b>3. PROTECTION</b>	
3.1 Over Voltage protection.....	3
3.2 Short Circuit Protection.....	3
3.3 Over Power Protection.....	3
3.4 No Load operation.....	3
<b>4. Environment Temperature</b> .....	4
<b>5. Reliability</b> .....	4
<b>6. Agency approvals</b> .....	4
<b>7. EMI/RFI</b> .....	4
<b>8. Instructions</b> .....	4
<b>9. HOT-SWAP Procedures</b> .....	5
<b>10. Dimension</b> .....	5
<b>11. PINOUTS of connectors</b> .....	7
<b>Color Reference for LED cable</b> .....	7
<b>Main Power Connector</b> .....	7

## 1. Introduction

The 400R2UH Series products of **Hot-Swap & Power Sharing** redundant Power supply provides increased reliability when integrated a variety of Systems. The 400R2UH series is ideally suited to telecommunications and Industrial system, as well as a variety of other applications where system Never shut down i. E. Zero down time.

**400R2UH** series redundant power supply, it consists of

- \* One of passive Back plane.
- \* One of exothermal enclosure.
- \* Two of compact size power modules with Hot-Pluggable connector
- \* Screw package.
- \* Alarm reset bottom.

### ©Features

- \* 1U Size design.
- \* Hot-Swappable & Power Sharing capability.
- \* Full Range AC input.
- \* Active PFC meet

## 2. Specification

2.1 AC Input Voltage: 100 to 240VAC, Frequency: 47Hz~63 Hz.

2.2 DC Output: 400W maximum

VOLTAGE	+5V	+12V	+3.3V	-12V	-5V	+5Vsb
MAX. LOAD	25A	28A	25A	0.8A	0.5A	2A
MIN. LOAD	3A	2A	0.3A	0.1A	0.1A	0.1A
REGULATION	± 5%	± 5%	± 5%	±10%	±10%	± 5%
RIPPLE(mV)	50	120	50	120	100	50

### Note:

1. The combined total power from +5V and +3.3V shall not exceed 35A.  
The combined total power from +5V and +3.3V & +12V shall not exceed 378W
2. Noise Test – Noise bandwidth is from DC to 20 MHz.
3. Ripple frequencies greater than 1MHz shall be attenuated by the measurement System.
4. Add 0.1uF/10uF capacitor at output connector terminals for ripple and noise measurements.

## 2.3 PS-ON

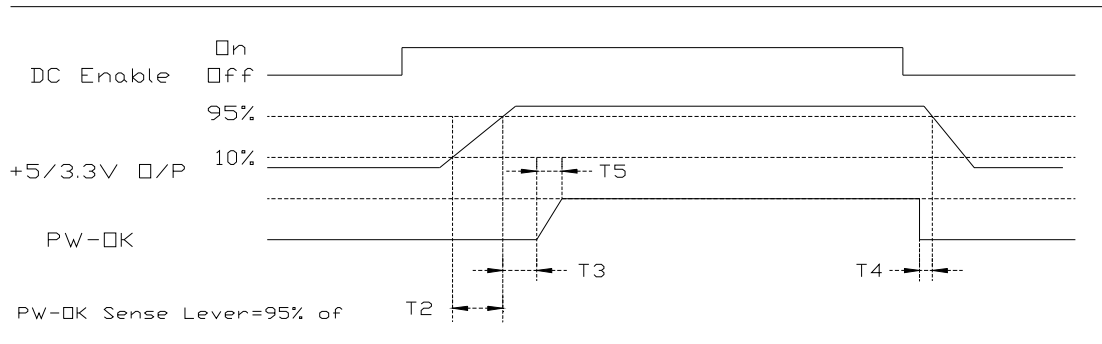
### Remote On/Off Control:

When PS-ON is pulled to TTL Low, the DC output is to be enabled.

When PS-OFF is pulled to TTL high, the DC output is to be disabled.

## 2.4 PW-OK

PW-OK is power good signal and should be asserted high by the power supply to indicate that +5VDC and +3.3VDC output are above the under voltage thresholds of the power supply TTL. compatible signal out with 100ms to 500ms.



### Timing of PS-ON, PW-OK, and Germane Voltage Rails

Although there is no requirement to meet specific timing parameters,

The following signal timings are recommended:

$$2\text{ms} \leq T2 \leq 200\text{ms}$$

$$100\text{ms} \leq T3 \leq 500\text{ms}$$

$$T4 > 1\text{ms}$$

$$T5 \leq 10\text{ms}$$

2.5 Efficiency:  $\geq 73\%$  at full load. (Normal Line)

2.6 Hold-Up Time: 16ms at maximum load & normal input voltage.

## 3. PROTECTIONS

### 3.1 OVER-VOLTAGE PROTECTION

Standard on +5.0V output, set at  $6.25\text{VDC} \pm 0.75\text{VDC}$ .

### 3.2 SHORT CIRCUIT PROTECTION

A short circuit placed between the DC Return and the output shall cause No damage and the power supply shall shutdown.

### 3.3 OVER POWER PROTECTION

The power supply shall shut down when output power exceeds 130% to 160% of full load and require a power on cycle be performed by the operate

### 3.4 NO LOAD OPERATION

No parts shall be damaged on the power supply.

#### **4. ENVIRONMENT TEMPERATURE**

4.1 Operation Temperature: 0°C to 50°C

4.2 Cooling: By forced air

4.3 Storage Temperature:-20°C to 70°C

4.4 Humidity: 5 to 90% non-condensing.

#### **5. RELIABILITY**

##### **5.1 MTBF OF POWER SUPPLY ELECTRONIS**

100,000 hours at full load and 25°C ambient temperature

##### **5.2 LIFE EXPECTANCY OF FAN**

40,000 hours at 40°C

#### **6. AGENCY APPROVALS**

UL 60950 QQQQ2

CAN/CSA-C22.2 No. 60950-00

TUV ( EN60950, IEC950 mod )

CB Certification

#### **7. EMI /RFI**

FCC part 15, Subpart B, Class B

EN55022 CISPR22 Class B,

EN61000-3-2 (ACTIVE PFC)

EN61000-4-2, -3, -4, -5, -6, -8, -11

#### **8. INSTRUCTIONS**

The set still works properly even if either unit is removed. The removed unit can't be used in other machinery nor for other purpose. When one unit breaks down, it's LED will blink, buzzer will sound. Push the Reset button and buzzer will stop.

**REDUNDANCY** Offer redundant function for power system and mutually backs up the outputs. A zero transfer time when backup takes place.

**HOT-SWAP** The power system provides a Hot-Swap function. This means when either one of the redundant power supplies fails or reaks down, you can easily replace failed unit without any interference to the system.

**BUZZER** A warning buzzer sounds when any one of the power supplies fails. The warning buzzer is reset table from reset switch either the one in front control panel or the one on the rear side.

**LED'S** The warning LED'S can be found either on the rear side or the control panel of the power system. Tells if one of the two power supplies has failed, by LED blinking.

**HOT-PLUGGABLE** The power system provides a Hot-Pluggable function This method allows the power units in the Disk Array/ File Server to be removed or inserted very easily without

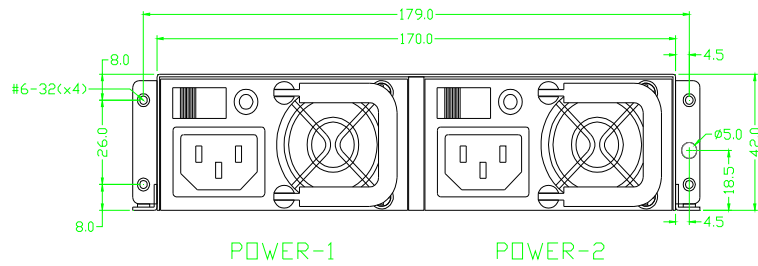
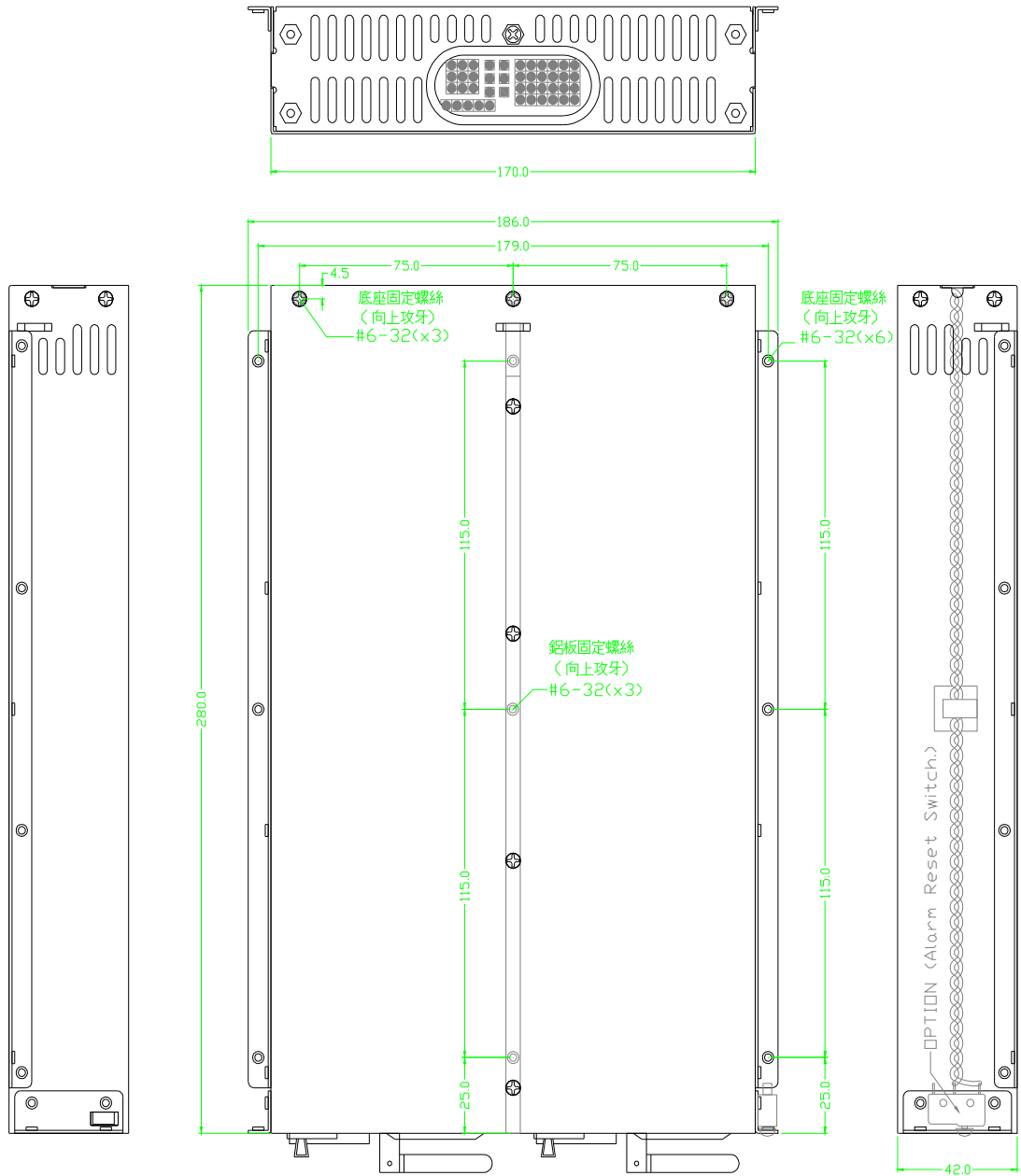
## **9. HOT-SWAP PROCEDURES**

Please refer to the followings when either one power supply unit is found defective.

- A) Locate** the defective power supply by examining the individual LED on the power unit or the LED on the front control panel if LED is Blinking.
- B) Unlock & Remove** the defective power supply unit.
- C)** Replace a new GOOD power supply unit, Insert the power supply into the power system chassis in position & it will auto Lock-up.
- D)** Turn on the new power supply unit.
- E)** Check the module LED which indicate the power and LED of total power system status, Both LED shall Have steady life.

## **10. DIMENSION**

TC-XXXR2UH L 280 x W170 x H 42 mm



TOLEANCES	MATERIAL				UNIT	MM	PART NO
.X= 0.20	REMARK				SCLAE	1 : 1	MODEL R2UH
.XX= 0.10	APPD	CKD	DRAWN	DWG NO.	NAME		水平式尺寸圖
			Green	SHEET	OF	DATE	2010/12/28

# 11. PINOUTS OF CONNECTORS

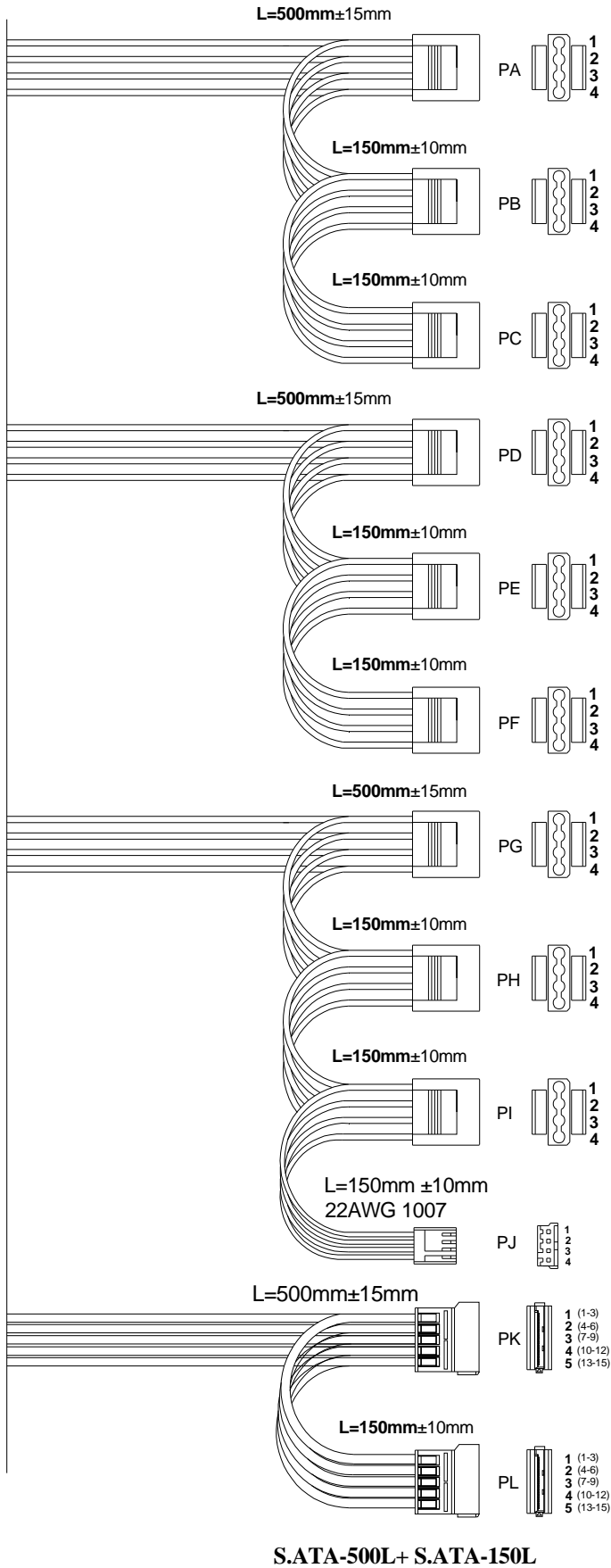
- ATX or EPS (20+4)Pin x 1 ,
- M8P +12V Power Connector x 1 ,
- M4P +12V Power Connector x 1 ,
- H.D.D. x 9 ,
- Floppy x 1
- SATA x 2.

版次 REV		修訂 REVISIONS		簽名 SING	日期 DATE	
<b>20+4P(公座)</b>						
	Pin No.	WIRE COLOR	線長 (LENGTH)	Pin No.	WIRE COLOR	線長 (LENGTH)
	1	ORANGE	500mm/18AWG	13	ORANGE ORANGE	500mm/18AWG 500mm/22AWG
	2	ORANGE	500mm/18AWG	14	BLUE	520mm/18AWG
	3	BLACK	500mm/18AWG	15	BLACK	500mm/18AWG
	4	RED	500mm/18AWG	16	GREEN	520mm/20AWG
	5	BLACK	500mm/18AWG	17	BLACK	500mm/18AWG
	6	RED	500mm/18AWG	18	BLACK	500mm/18AWG
	7	BLACK	500mm/18AWG	19	BLACK	500mm/18AWG
	8	GRAY	520mm/20AWG	20	NC	
	9	PURPLE	500mm/18AWG	21	RED	500mm/18AWG
	10	YELLOW	500mm/18AWG	22	RED	500mm/18AWG
	11	YELLOW	500mm/18AWG	23	RED	500mm/18AWG
12	ORANGE	500mm/18AWG	24	BLACK	500mm/18AWG	
Connector HOUSING: MOLEX 39-01-2200 or equivalent						
容許公差: TOLERANCES: .XXX= ± 0.25 .XX= ± 0.1 .X= ± 0.2		材料規格: MATERIAL 標準者: APPROVE BY	審核者: CHECK BY 繪圖者: DRAW BY	單位: UNITS 圖號: DRAW NO	mm OF	SURE STAR COMPUTER 品名: MODEL NO 料號: PART NO
投影法: PROJECTION: 第三角法		JACKY		日期: DATE 2009.7.6	品名: MODEL NO SS-20+4P-L500	

HOUSING	Pin	WIRE COLOR	LENGTH	Pin	WIRE COLOR	LENGTH
8P	1	Black/Black	500mm/ 18AWG	5	Yellow/Yellow	500mm/ 18AWG
	2	Black/Black	500mm/ 18AWG	6	Yellow/Yellow	500mm/ 18AWG
	3	Black	500mm/ 18AWG	7	Yellow	500mm/ 18AWG
	4	Black	500mm/ 18AWG	8	Yellow	500mm/ 18AWG
4P	1	Black	150mm/ 18AWG	3	Yellow	150mm/ 18AWG
	2	Black	150mm/ 18AWG	4	Yellow	150mm/ 18AWG

Connector HOUSING: MOLEX 39-01-0280 or equivalent

Connector HOUSING: MOLEX 39-01-0240 or equivalent



Housing	Pin No.	WIRE COLOR	LENGTH	Pin No.	WIRE COLOR	LENGTH
PA	1	Yellow / Yellow	500mm/18AWG	3	Black / Black	500mm/18AWG
	2	Black / Black	500mm/18AWG	4	Red / Red	500mm/18AWG
PB	1	Yellow / Yellow	150mm/18AWG	3	Black / Black	150mm/18AWG
	2	Black / Black	150mm/18AWG	4	Red / Red	150mm/18AWG
PC	1	Yellow	150mm/18AWG	3	Black	150mm/18AWG
	2	Black	150mm/18AWG	4	Red	150mm/18AWG

Connector Housing: H.D.D. for easy plug

Housing	Pin No.	WIRE COLOR	LENGTH	Pin No.	WIRE COLOR	LENGTH
PD	1	Yellow / Yellow	500mm/18AWG	3	Black / Black	500mm/18AWG
	2	Black / Black	500mm/18AWG	4	Red / Red	500mm/18AWG
PE	1	Yellow / Yellow	150mm/18AWG	3	Black / Black	150mm/18AWG
	2	Black / Black	150mm/18AWG	4	Red / Red	150mm/18AWG
PF	1	Yellow	150mm/18AWG	3	Black	150mm/18AWG
	2	Black	150mm/18AWG	4	Red	150mm/18AWG

Connector Housing: H.D.D. for easy plug

Housing	Pin No.	WIRE COLOR	LENGTH	Pin No.	WIRE COLOR	LENGTH
PG	1	Yellow / Yellow	500mm/18AWG	3	Black / Black	500mm/18AWG
	2	Black / Black	500mm/18AWG	4	Red / Red	500mm/18AWG
PH	1	Yellow / Yellow	150mm/18AWG	3	Black / Black	150mm/18AWG
	2	Black / Black	150mm/18AWG	4	Red / Red	150mm/18AWG
PI	1	Yellow / Yellow	150mm/18AWG	3	Black / Black	150mm/18AWG
	2	Black / Black	150mm/18AWG	4	Red / Red	150mm/18AWG
PJ	1	Yellow	150mm/22AWG	3	Black	150mm/22AWG
	2	Black	150mm/22AWG	4	Red	150mm/22AWG

Connector Housing: H.D.D. for easy plug

Connector HOUSING: AMP 171822-4 or equivalent

Housing	Pin No.	WIRE COLOR	LENGTH
PK	1	Orange / Orange	500mm/18AWG
	2	Black / Black	500mm/18AWG
	3	Red / Red	500mm/18AWG
	4	Black / Black	500mm/18AWG
	5	Yellow / Yellow	500mm/18AWG
PL	1	Orange	150mm/18AWG
	2	Black	150mm/18AWG
	3	Red	150mm/18AWG
	4	Black	150mm/18AWG
	5	Yellow	150mm/18AWG

HOUSING: MOLEX 675820000 or equivalent

TERMINAL: MOLEX 675810000 or equivalent

**Note: Specification and wiring diagram subject to change without notice.**