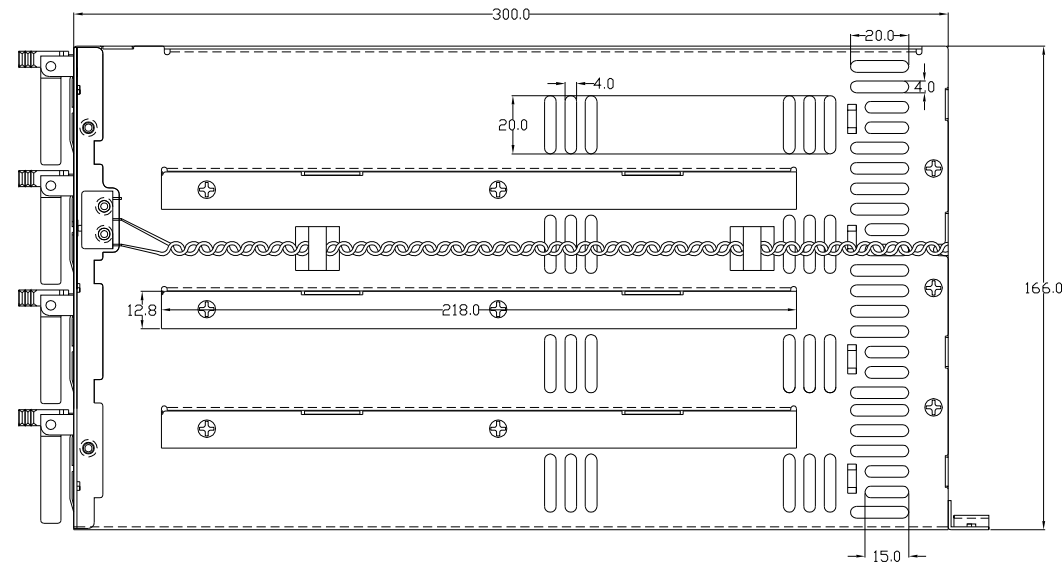
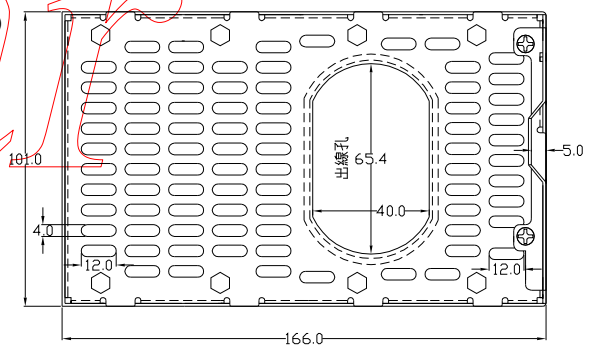
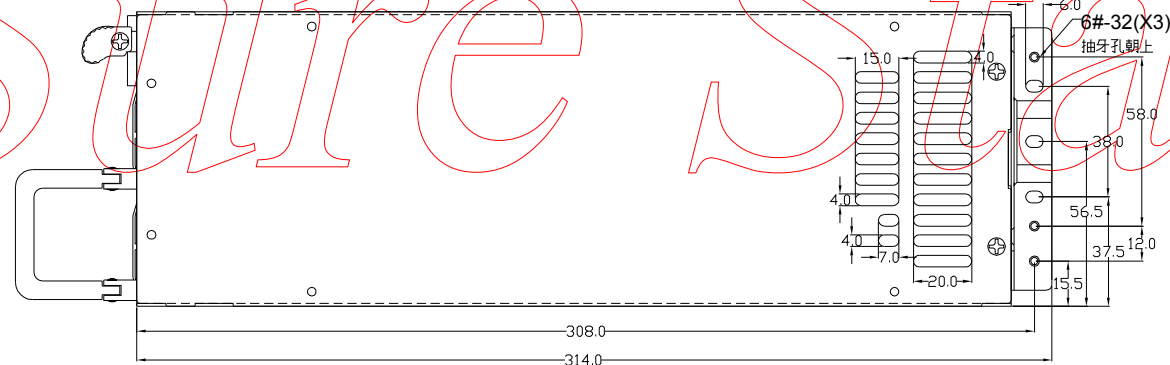
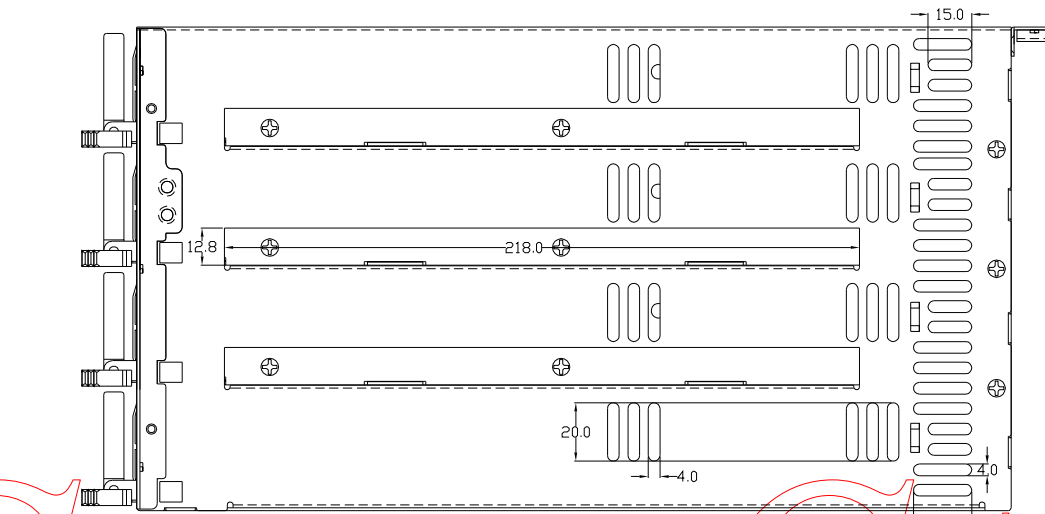
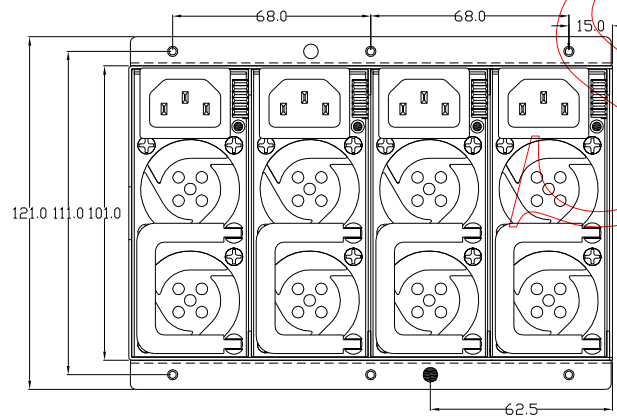


DIMENSION:300(D) x 101(W) x 166(H)mm

REVISIONS			
REV	DESCRIPTION	SING	DATE
			/ /



TOLERANCES: .xxx± 0.25 .xx± 0.1 .x± 0.2	MATERIAL APPROVE BY	SPPC T1.0 CHECK BY	UNITS DRAW NO	mm		MODEL NO 2007.7.18	DATE
PROJECTION: 	DRAW BY	DRAW NO	SHEET OF	PART NO		TC-1800_2000RVN4	